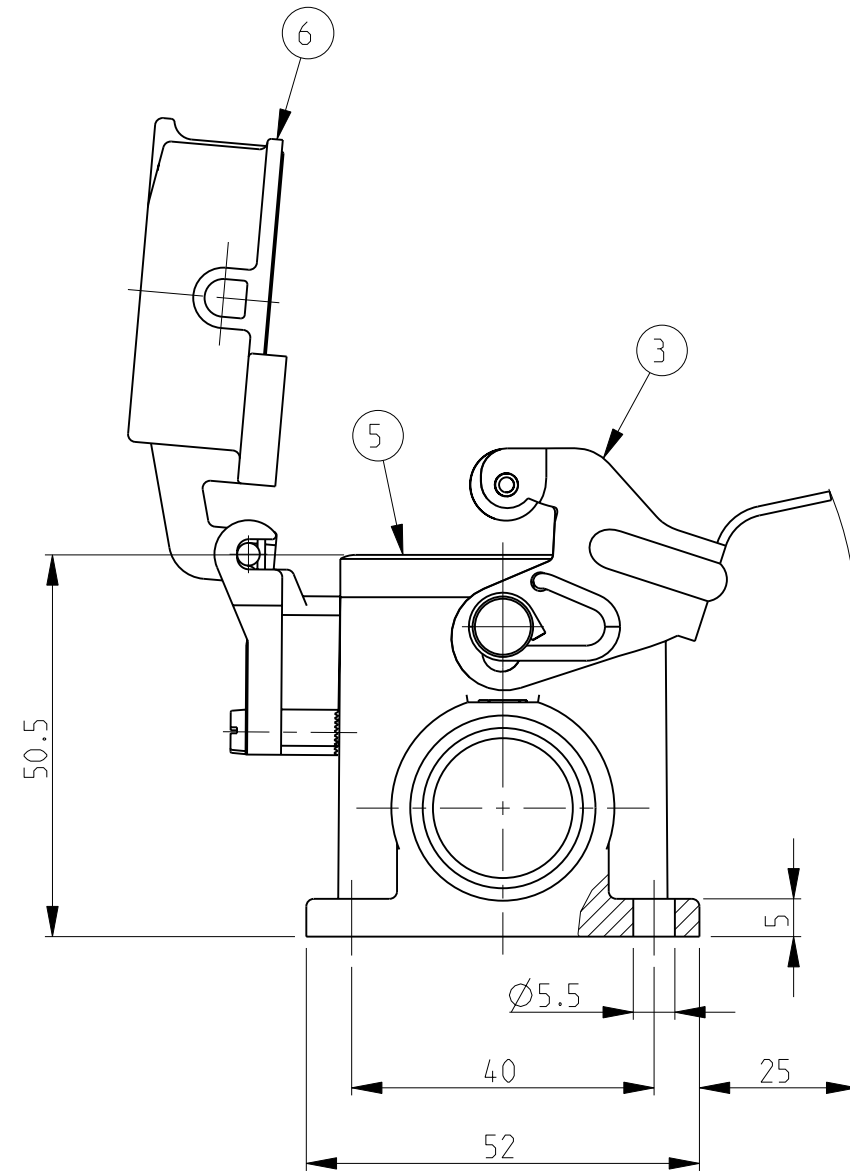
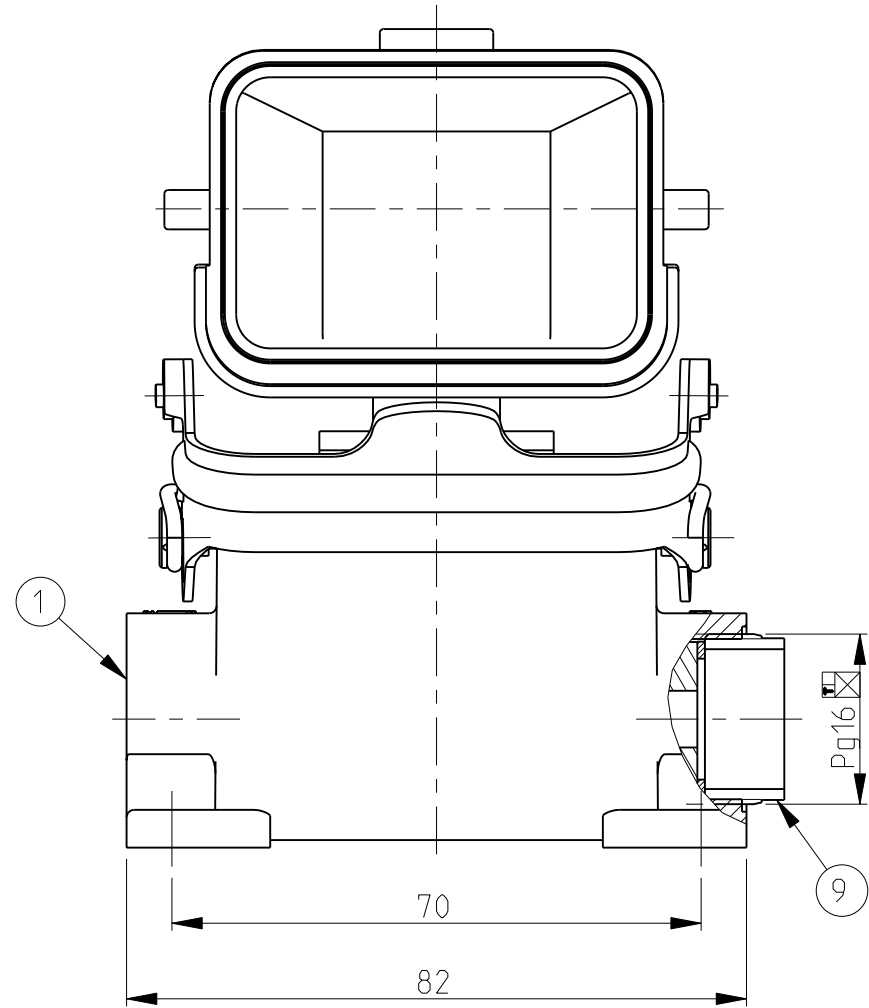


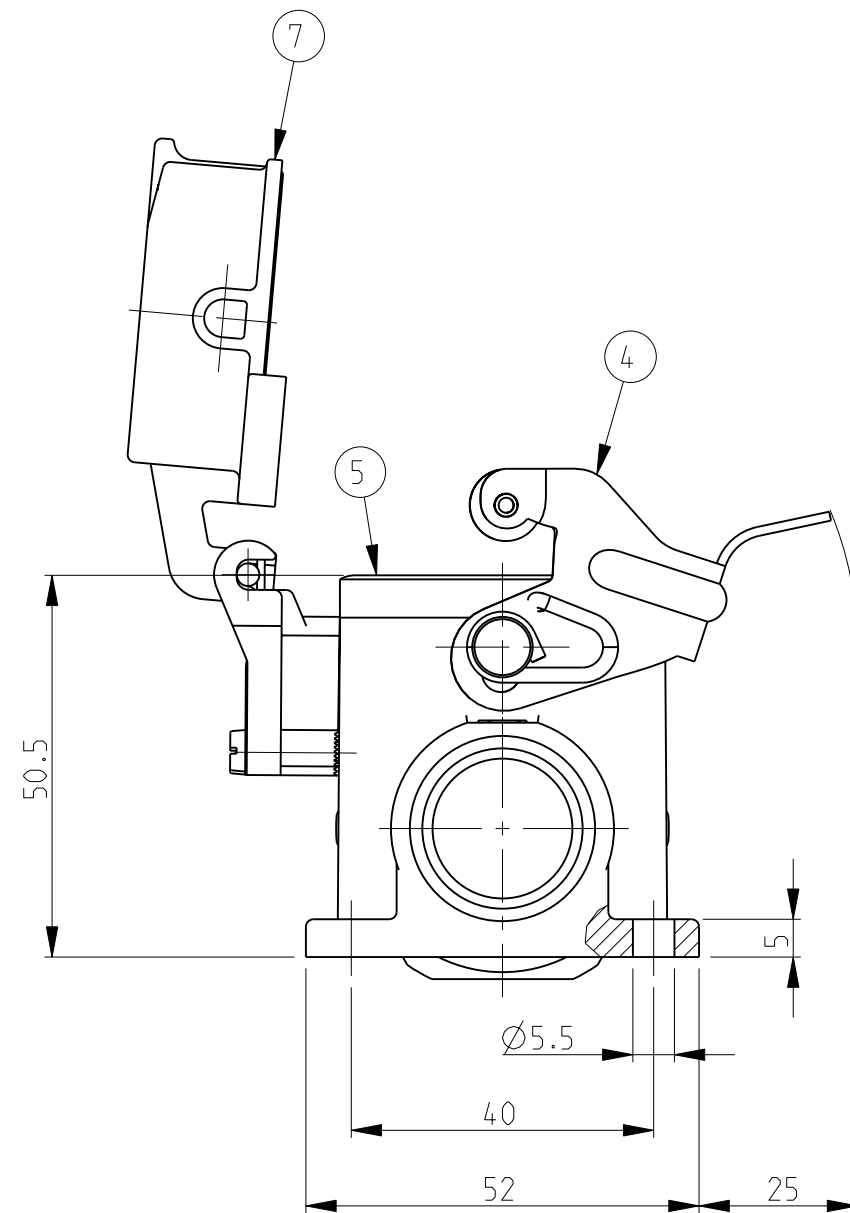
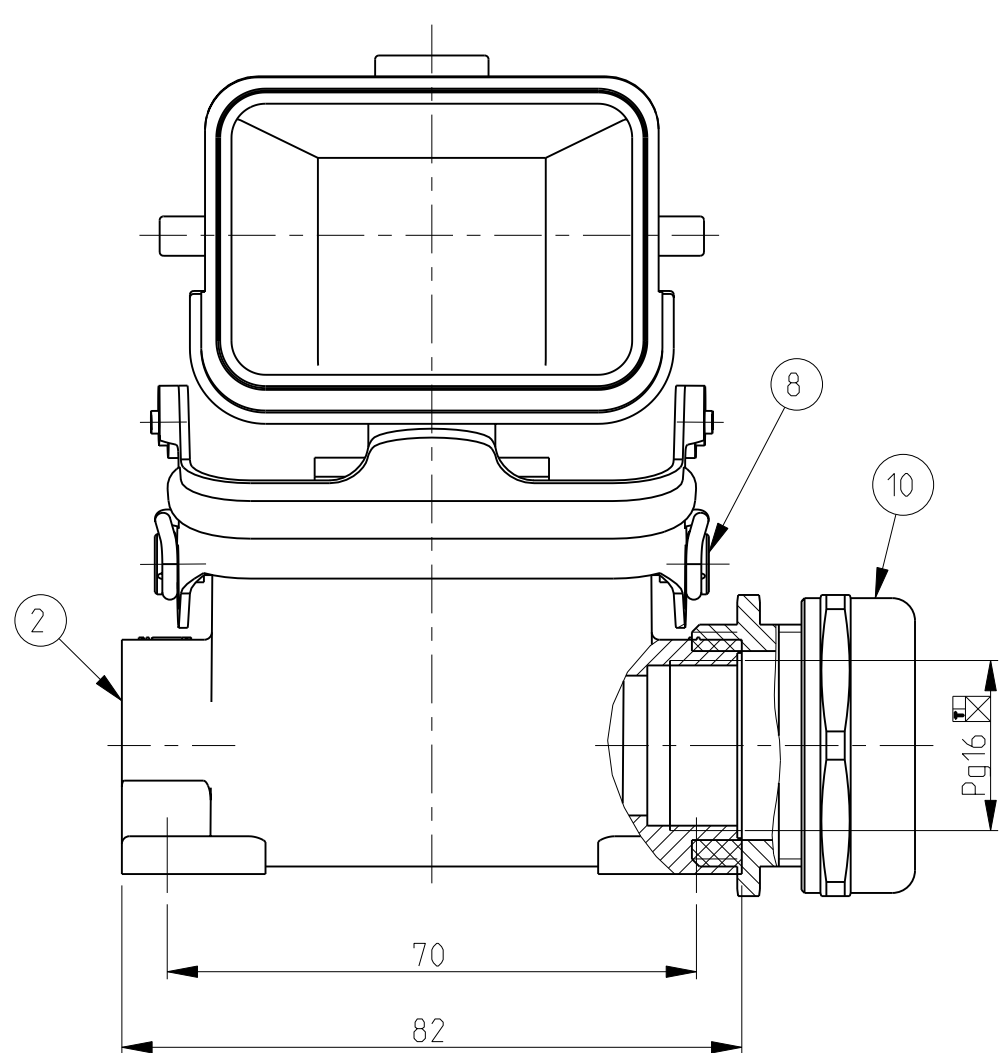
THIS DRAWING IS UNPUBLISHED. RELEASED FOR PUBLICATION .1997
 © COPYRIGHT 1997 BY TYCO ELECTRONICS CORPORATION. ALL RIGHTS RESERVED.

LOC		DIST		REVISIONS			
P	LTR	DESCRIPTION	DATE	DWN	APVD		
A1	-						
A2		Released as per ECR-08-019772	04.Sep.2008	SP	TS		

PN 1-2

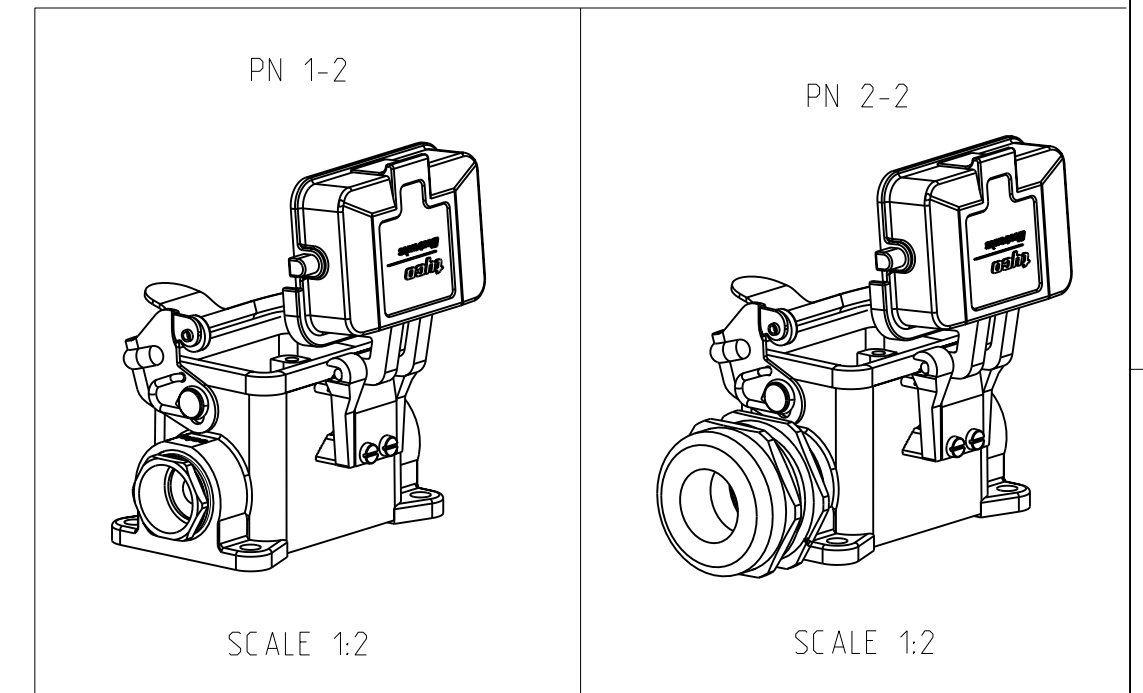


PN 2-2



NOTES.

- 1 Material:Housing:Aluminium Diecasting Alloy
- 2 Finish:Hammer scales varnish or powder coated correction protection
- 3 Varnish on the inside not necessary
- 4 Packaging Quantity 5 Pieces in a box



QTY	DESCRIPTION	MATERIAL	SURFACE	COLOR	ITEM NO	REMARKS
1	Gland Fitting round	Brass	Nickel plated		10	
1	Cable fitting round	Brass	Nickel plated		9	
2	Clip bolt	Stainless steel	Blank		8	
1	Cover finished product	Aluminium		Black RAL 9005	7	
1	Cover finished product	Aluminium		Grey RAL 7001	6	
1	Profile seal	Neoprene		Black RAL 9005	5	
1	LB-Side clip finished product	Stainless steel	Blank		4	
1	LB-Side clip finished product	Steel	Zinc plated	Blue	3	
1	Surface mounted housing side entry HB6 1xPg16	Aluminium		Black RAL 9005	2	
1	Surface mounted housing side entry HB6 1xPg16	Aluminium		Grey RAL 7001	1	

ORDERING TEXT
 HB.6.SGD-LB.1.16
 HB-K.6.SGD-LB.1.16

<small>THIS DRAWING IS A CONTROLLED DOCUMENT FOR TYCO ELECTRONICS CORPORATION IT IS SUBJECT TO CHANGE AND THE CONTROLLING ENGINEERING ORGANIZATION SHOULD BE CONTACTED FOR THE LATEST REVISION.</small>		DWN Schneider 09.03.1999 CHK Schneider 09.03.1999 APVD Schweiger	Tyco Electronics Tyco Electronics,AMP.GmbH D-53757 Sankt Augustin,Germany
DIMENSIONS: mm 		TOLERANCES UNLESS OTHERWISE SPECIFIED: h11/d9 h11/k6 h11/h9 h11/h8 h11/h7 h11/h6 h11/h5 h11/h4 h11/h3 h11/h2 h11/h1 ANGLES ± FINISH	NAME Surface mounted housing side entry Assy HB.6.SGD-LB.1.16 PRODUCT SPEC 108-74009 APPLICATION SPEC 114-74001 WEIGHT - CUSTOMER DRAWING
MATERIAL -		SCALE 1:1 SHEET 1 OF 1 REV A2	SIZE A2 CAGE CODE 00779 DRAWING NO G-1102252 RESTRICTED TO -