

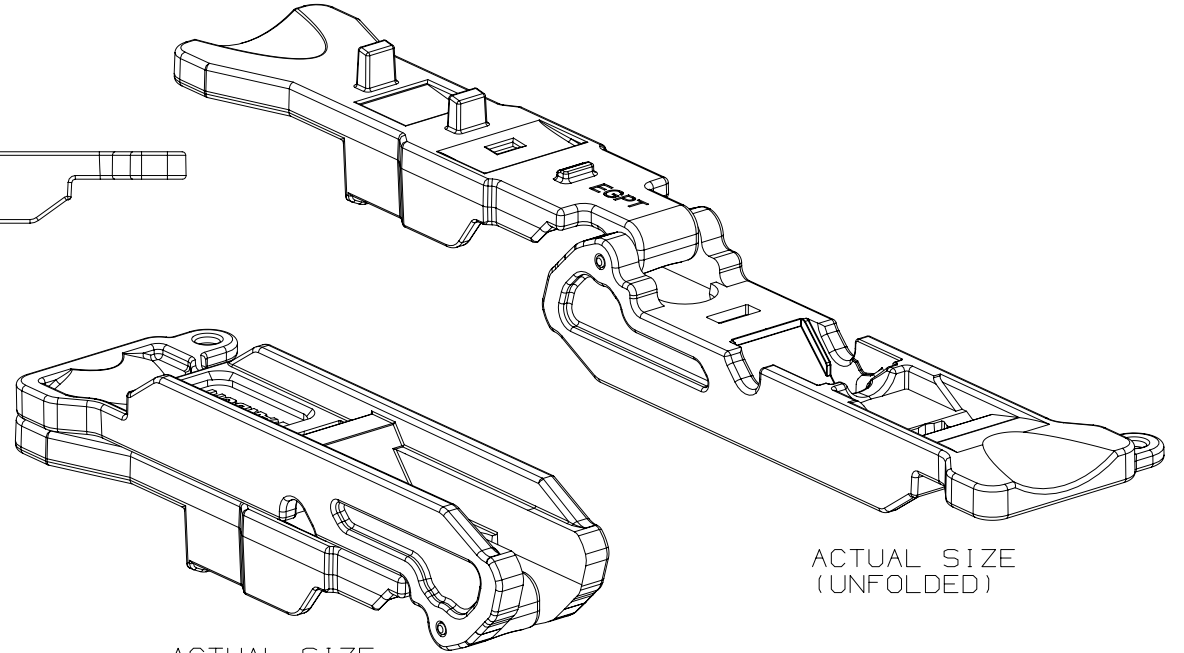
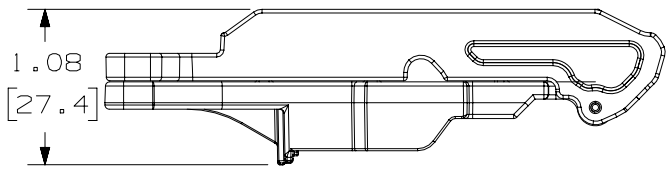
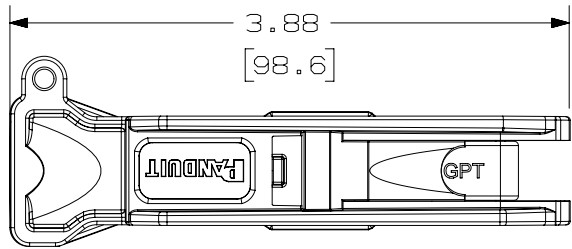
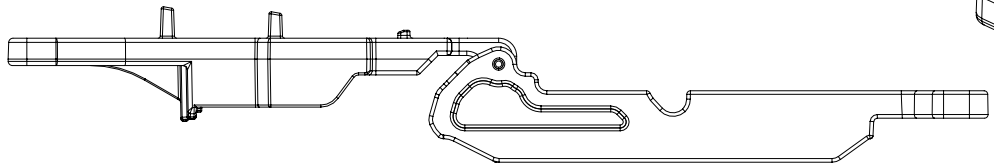
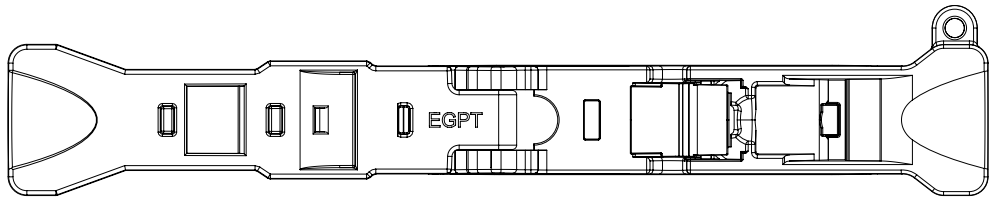
2

1

THIS COPY IS PROVIDED ON A RESTRICTED BASIS AND IS NOT TO BE USED IN ANY WAY DETRIMENTAL TO THE INTERESTS OF PANDUIT CORP.

NOTES:

- 1. VISIT OUR ON-LINE CATALOG AT WWW.PANDUIT.COM FOR A LIST OF CURRENT PARTS APPLICABLE FOR USE WITH THIS PRODUCT.
- 2. DIMENSIONS IN ( ) ARE METRIC.
- 3. WEIGHT: .44 LB/10 PCS ( 199 g/10PCS )
- 4. MATERIAL: GLASS FILLED NYLON
- 5. COLOR: VIOLET
- 6. RoHS COMPLIANT



ACTUAL SIZE (FOLDED)

ACTUAL SIZE (UNFOLDED)

PART NUMBER		EGPT		
TITLE				
TERMINATION TOOL FOR STRAIGHT & 45° ANGLED UTP FIELD TERMINABLE PLUG				
CUSTOMER DRAWING				
ITEM REVISION NAME		00163LAI/04		
DATASET FILE NAME		00163LAI_DC02/04A		
		THIRD ANGLE PROJECTION		
MATERIAL		SEE NOTE 4		
DRAWING NUMBER		00163LAI-02		
REV	DATE	BY	CHK	SCALE
3	6-21-18	BJN	DCS	NONE
DESCRIPTION		APR	ECN	SIZE
REVISED & REDRAWN PREVIOUS REVISION REMVD FOR CLARITY			00163LAI-02	A
SHEET 1 OF 1				

A-SIZE CUSTOMER

2

1