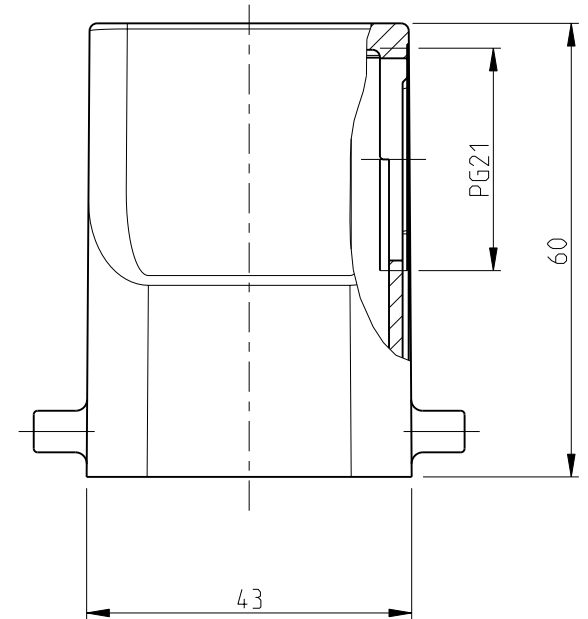
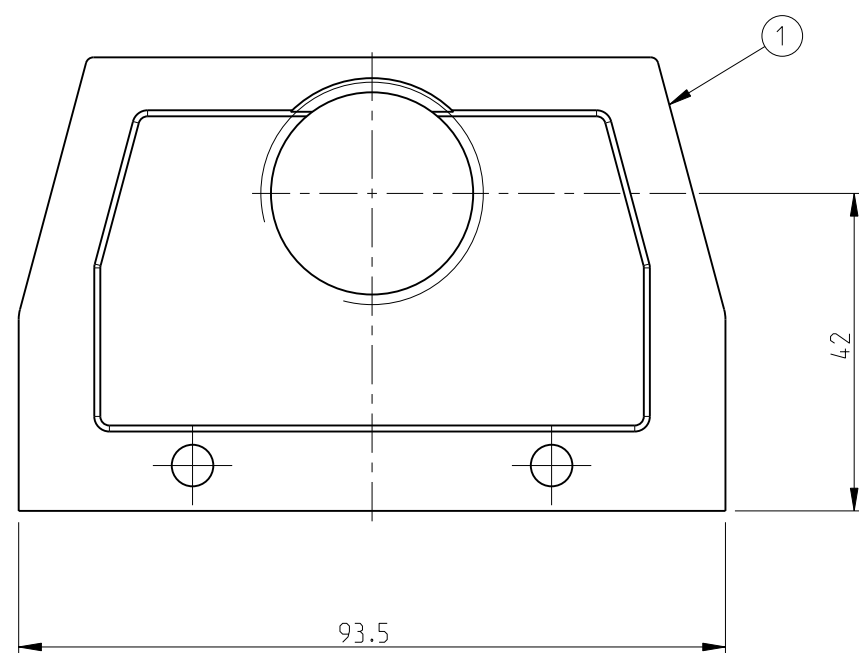


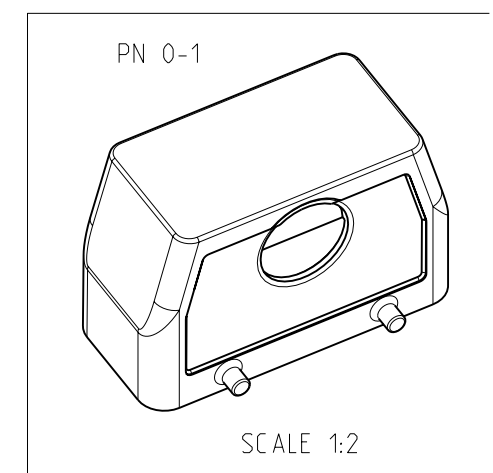
THIS DRAWING IS UNPUBLISHED. RELEASED FOR PUBLICATION  
 © COPYRIGHT 1997 BY TYCO ELECTRONICS CORPORATION. ALL RIGHTS RESERVED.

LOC	DIST	REVISIONS			
P	LTR	DESCRIPTION	DATE	DWN	APVD
A1	-	Released as per ECR-07-030429	17.12.2007	SP	TS

PN 0-1



- NOTES
- 1 Material: Housing: aluminium diecasting alloy
  - 2 Surface:- -Powder varnish grey  
-Aluminium oxide+  
-Varnish black
  - 3 Varnish on the inside not necessary
  - 4 Packaging  
Packaging quantity 5 piece in a box



1	Hood HB	Aluminium	-	Grey	1	
0-1	DESCRIPTION	MATERIAL	SURFACE	COLOR	ITEM NO	REMARK
ORDERING TEXT						
HB.16.STW.1.21.G						

THIS DRAWING IS A CONTROLLED DOCUMENT FOR TYCO ELECTRONICS CORPORATION  
 IT IS SUBJECT TO CHANGE AND THE CONTROLLING ENGINEERING ORGANIZATION  
 SHOULD BE CONTACTED FOR THE LATEST REVISION.

DIMENSIONS: mm		TOLERANCES UNLESS OTHERWISE SPECIFIED: n-ISO 8015: n-ISO 2768-mH-E: n-DIN 16901-120	
	0 PLC	±	
	1 PLC	±	
	2 PLC	±	
	3 PLC	±	
	4 PLC	±	
	ANGLES	±	
MATERIAL	FINISH		

DWN	Schneider	25.04.00	Tyco Electronics.AMP.GmbH D-53819.Neunkirchen.Germany
CHK	Schweiger	25.04.00	
APVD	-	-	
NAME	HOOD HB.16.STW.1.21.G		
PRODUCT SPEC	108-74001 108-74003		RESTRICTED TO
APPLICATION SPEC	114-74001 114-74004		
WEIGHT	A3	00779	©=1102091
CUSTOMER DRAWING			SCALE 1:1 SHEET 1 OF 1 REV A3