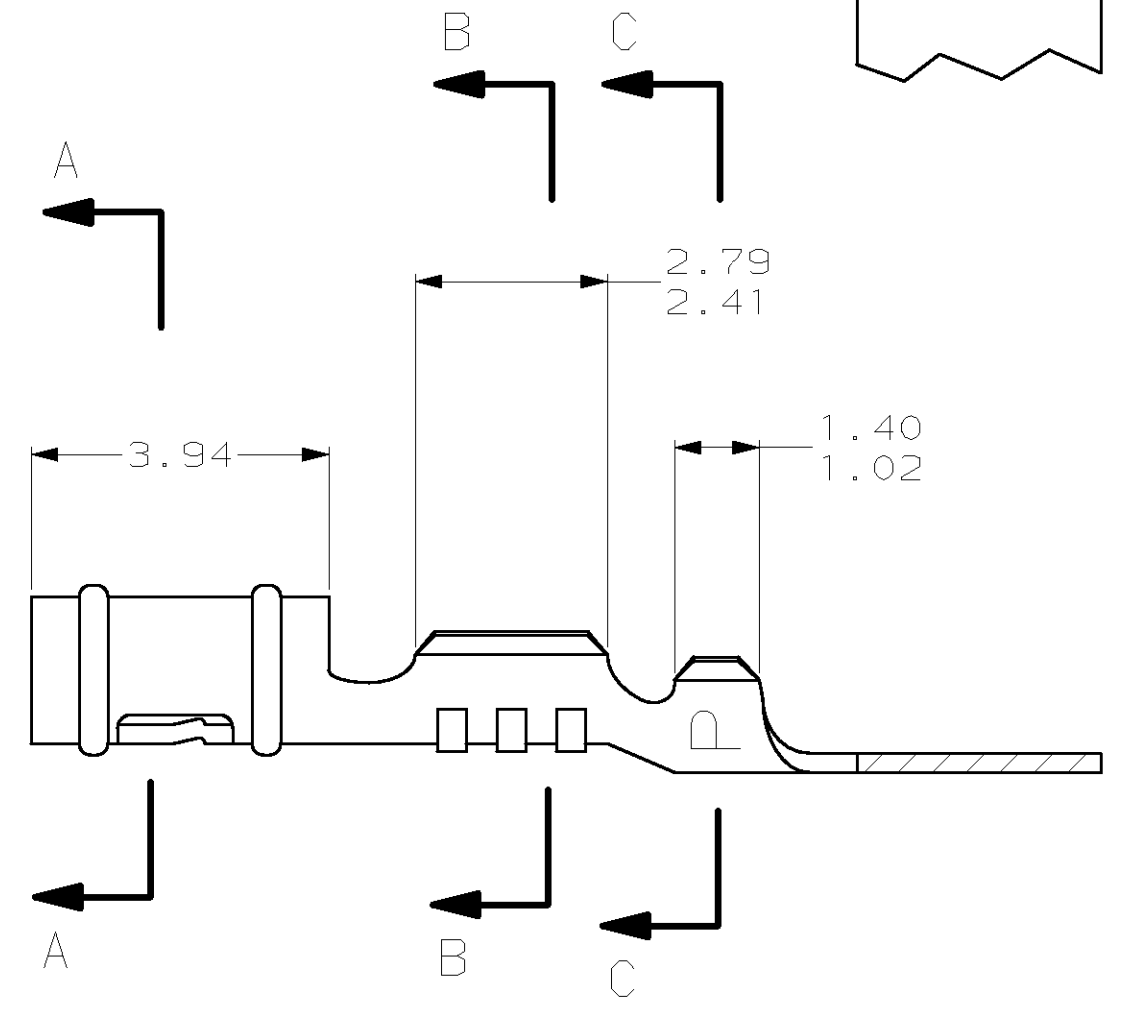
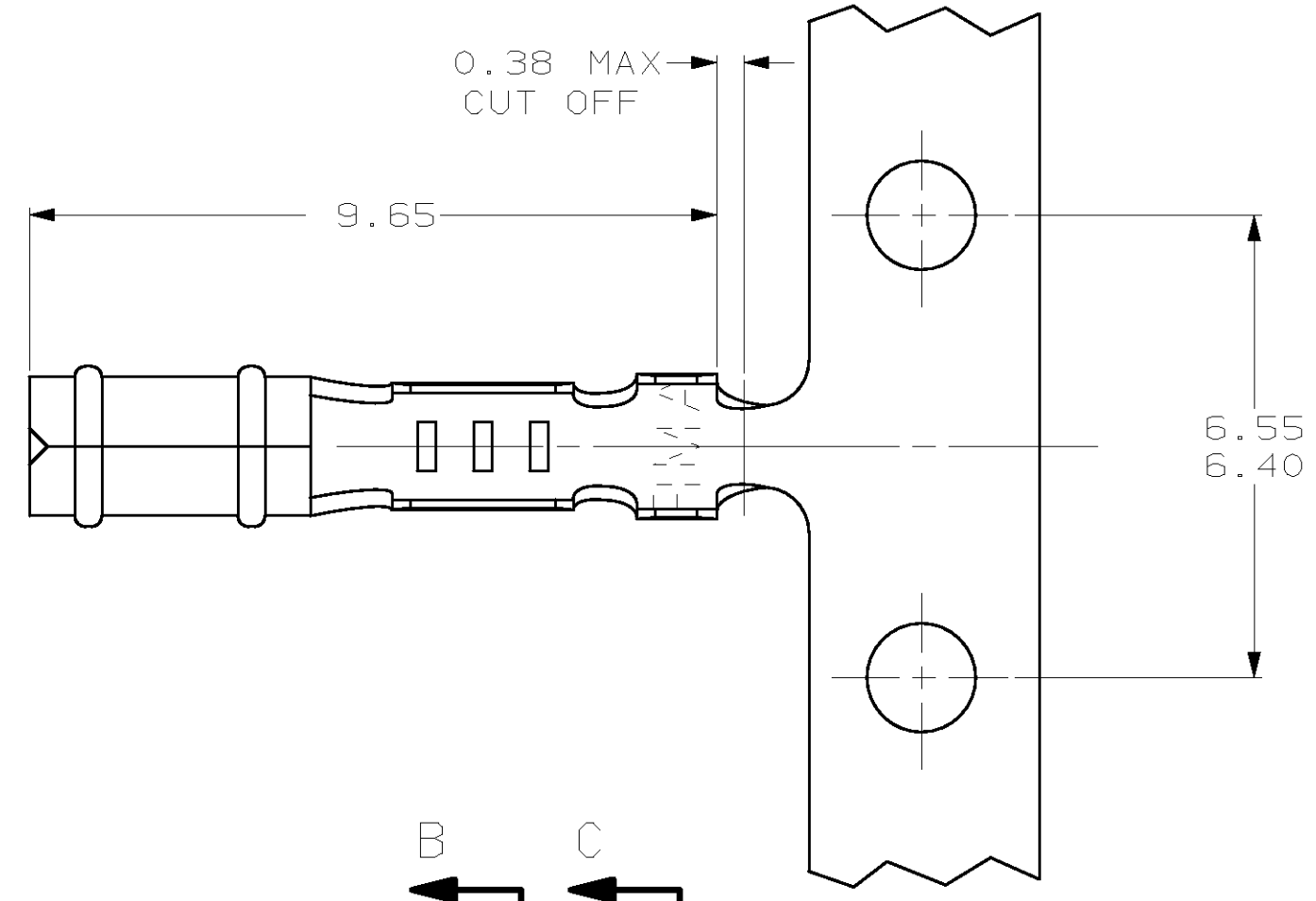


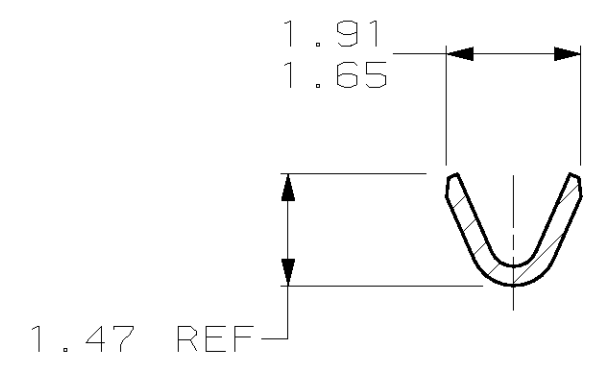
THIS DRAWING IS UNPUBLISHED. RELEASED FOR PUBLICATION  
 (C) COPYRIGHT 19 BY AMP INCORPORATED. ALL RIGHTS RESERVED.

LOC	DIST	REVISIONS			
P	LTR	DESCRIPTION	DATE	DWN	APVD
CM	52	AG	REV & REDWN PER EC 0L30-0164-97	4-29-97	TB RS

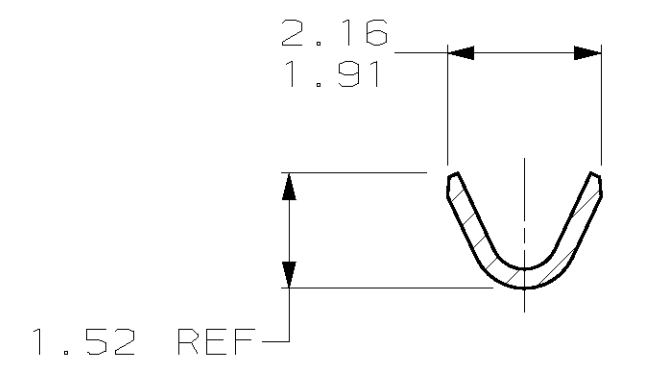
1. WIRE RANGE: 0.08 - 0.15 MM<sup>2</sup> (28 - 26 AWG)
2. INSULATION RANGE: 0.89 - 1.14
- 3 REVERSED REELED.



SECTION A-A



SECTION B-B



SECTION C-C

PRE-TIN	0.25 PH BRZ	60354-7
PRE-TIN	0.25 PH BRZ	60354-2
FINISH	MATERIAL	PART NUMBER

1.14	.045	1.65	.065	6.40	.252	-	-
1.02	.040	1.52	.060	3.94	.155	-	-
0.89	.035	1.486	.0585	2.79	.110	-	-
0.38	.015	1.47	.058	2.41	.095	-	-
0.25	.010	1.40	.055	2.16	.085	9.65	.380
0.13	.005	1.359	.0535	1.91	.075	6.55	.258
MM	IN	MM	IN	MM	IN	MM	IN

CONVERSION TABLE

**METRIC**

THIS DRAWING IS A CONTROLLED DOCUMENT.

DIMENSIONS:	TOLERANCES UNLESS OTHERWISE SPECIFIED:	DWN	4-29-97
mm		T. BECK	
	0 PLC ±	CHK	4-29-97
	1 PLC ±	R. SWING	
	2 PLC ±0.13	APVD	8-22-97
	3 PLC ±	A. BEDDICK	
	4 PLC ±	NAME	RECEPTACLE, .058 DIAMETER,
	ANGLES ±	PRODUCT SPEC	28-26 AWG, .035-.045
		APPLICATION SPEC	INSULATION, P.C. CONTACT
MATERIAL	FINISH	SIZE	CAGE CODE
SEE TABLE	SEE TABLE	114-1008	00779
		WEIGHT	DRAWING NO
		-	60354
		CUSTOMER DRAWING	RESTRICTED TO
			-
		SCALE	SHEET
		10:1	1 OF 1
			REV
			AG