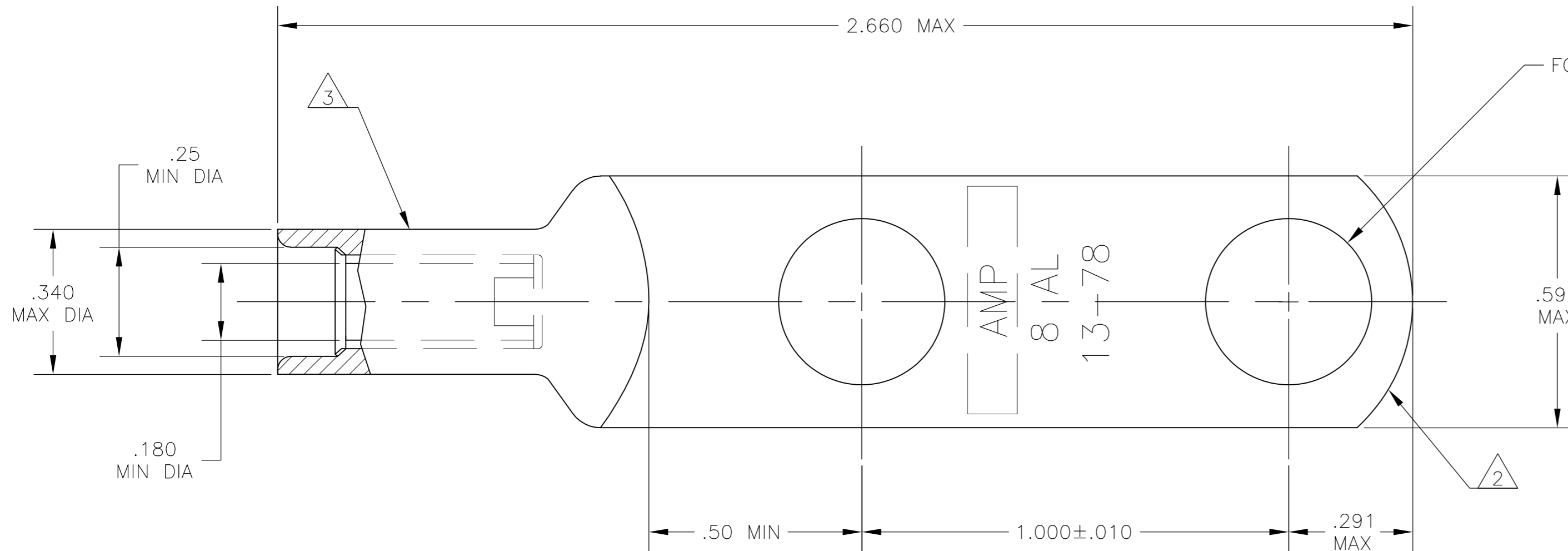
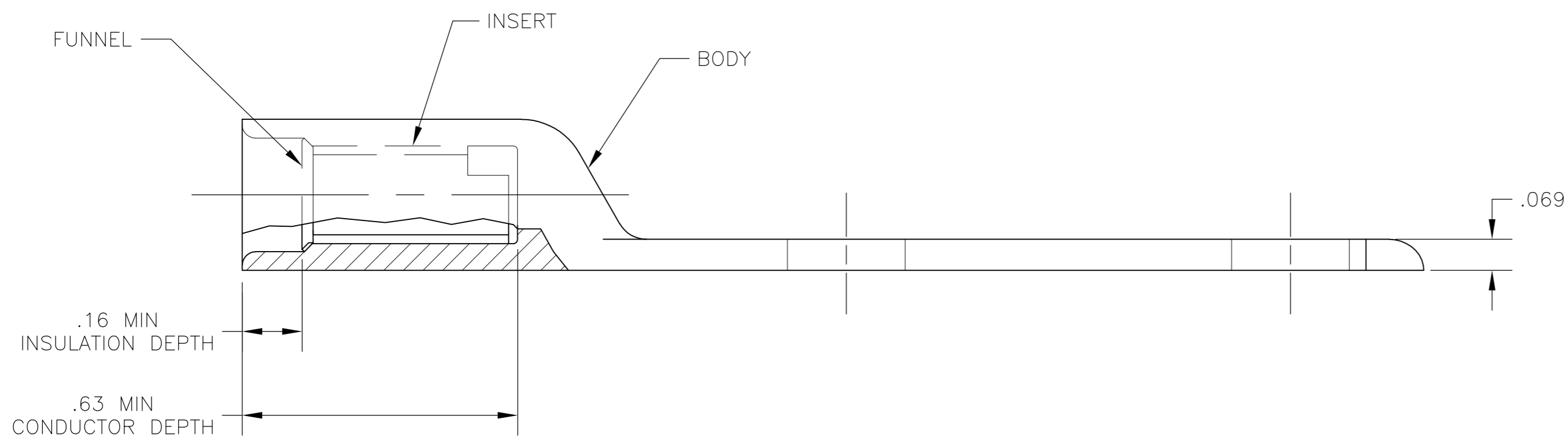


THIS DRAWING IS UNPUBLISHED. RELEASED FOR PUBLICATION
 © COPYRIGHT - By - ALL RIGHTS RESERVED.

LOC	DIST	REVISIONS					
		P	LTR	DESCRIPTION	DATE	DWN	APVD
G	86		C	REVISED PER ECR-11-017216	12OCT11	PY	BW



- 1 WIRE INSULATION: .220-.248 DIA
- 2 THE TONGUE RADIUS FEATURE IS NOT A TOOLING CONTROLLED DIMENSION AND MAY NOT BE A TRUE RADIUS.
- 3 IMPACTING FLASH PERMITTED .020 MAX
- 4 STAMP "AMP 8 AL 13-78" SIZE AND LOCATION APPROX AS SHOWN



INSERT & FUNNEL: BRASS MIL-C-50 NICKEL PL QQ-N-290 .000300 AVG THK BODY: COPPER ASTM-B187 ANNEALED TIN PL PER ASTM B-545 .000150 MIN THK	696804-1
MATERIAL & FINISH	PART NO.

THIS DRAWING IS A CONTROLLED DOCUMENT.		DWN	JR RUTH	10AUG05	TE Connectivity
DIMENSIONS: INCHES		CHK	MS FEHER	10AUG05	
TOLERANCES UNLESS OTHERWISE SPECIFIED:		APVD	MJ SPICER	10AUG05	
0 PLC ± - 1 PLC ± - 2 PLC ± - 3 PLC ± - 4 PLC ± - ANGLES ± -		NAME	WIRE TERMINAL, COPALUM, SEALED, RING TONGUE, 8.6mm		
MATERIAL SEE TABLE		FINISH	SEE TABLE	108-11011 APPLICATION SPEC 114-2134	SIZE: A2 CAGE CODE: 00779 DRAWING NO: C-696804
CUSTOMER DRAWING		WEIGHT	-	SCALE: 4:1	SHEET: 1 of 1 REV: C