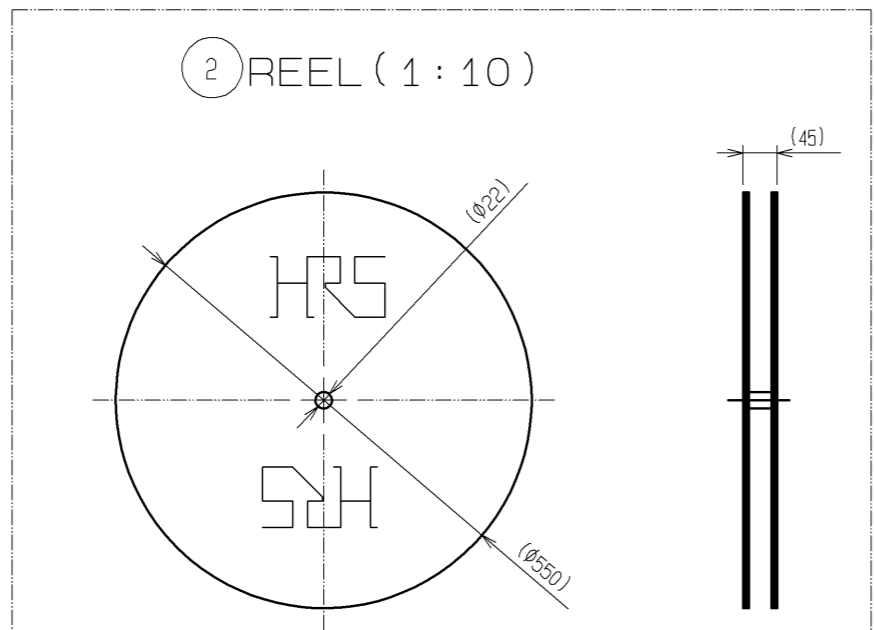
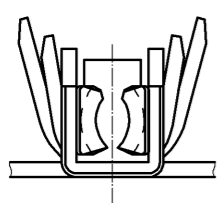
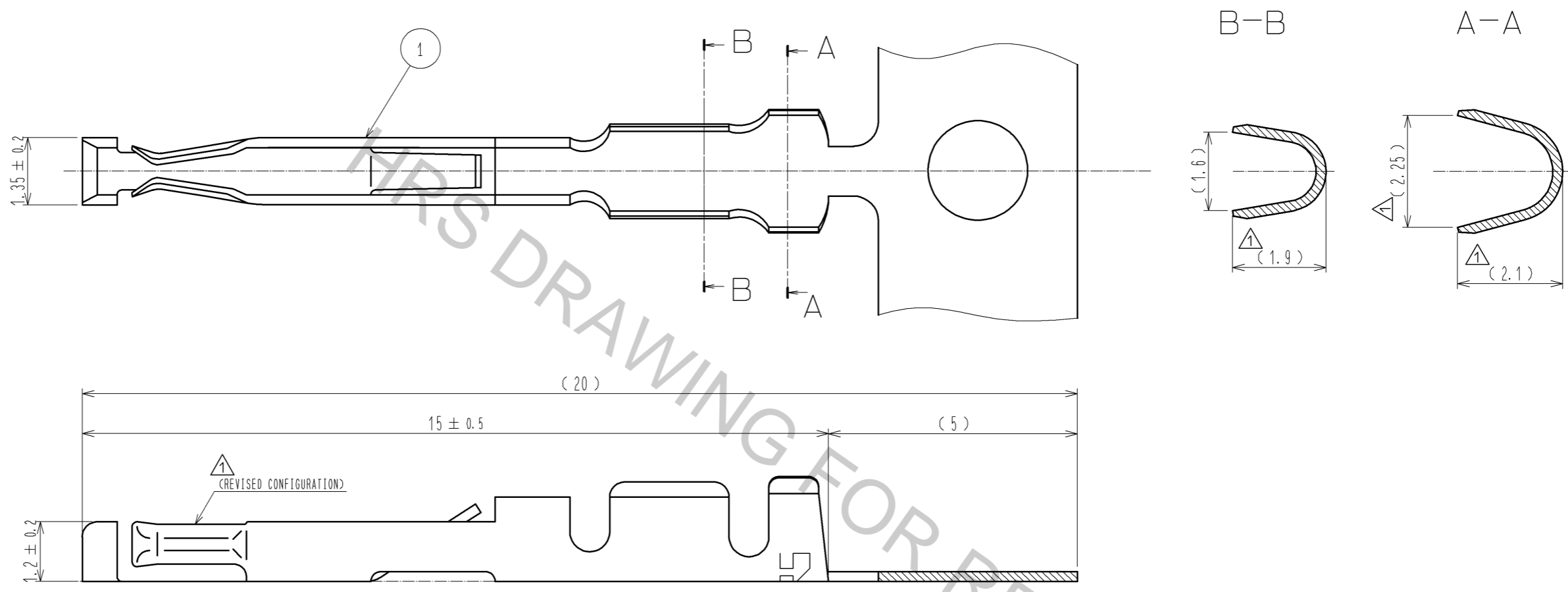


Apr.1.2017 Copyright 2017 HIROSE ELECTRIC CO., LTD. All Rights Reserved.



NOTES
 1 THIS PRODUCT IS APPLY TO THE WIRE #20 TO #25(WIRE JACKET DIAMETER φ1.7 MAX.)
 2 PER REEL:10000 CONTACTS.
 3 CONTACT AREA : GOLD PLATING 0.2μm min.
 TERMINAL AREA : NICKEL PLATING 2μm min.
 UNDER PLATING : NICKEL 2μm min.

1	PHOSPHOR BRONZE	3	2	CARTON	(TERMINAL WINDING REEL)
NO.	MATERIAL	FINISH . REMARKS	NO.	MATERIAL	FINISH . REMARKS
UNITS mm		SCALE 10:1	COUNT 5	DESCRIPTION OF REVISIONS DIS-C-001336	DESIGNED DS. MATSUNE
		APPROVED : MO. SATOH	08. 11. 12	DRAWING NO. EDC3-116077-00	CHECKED SU. OBARA
		CHECED : TH. KAMEYA	08. 11. 11	PART NO. HR34B-SC1-211	DATE 09. 06. 17
		DESIGNED : DS. MATSUNE	08. 11. 11	CODE NO. CL134-0050-4-00	
		DRAWN : DS. MATSUNE	08. 11. 11		