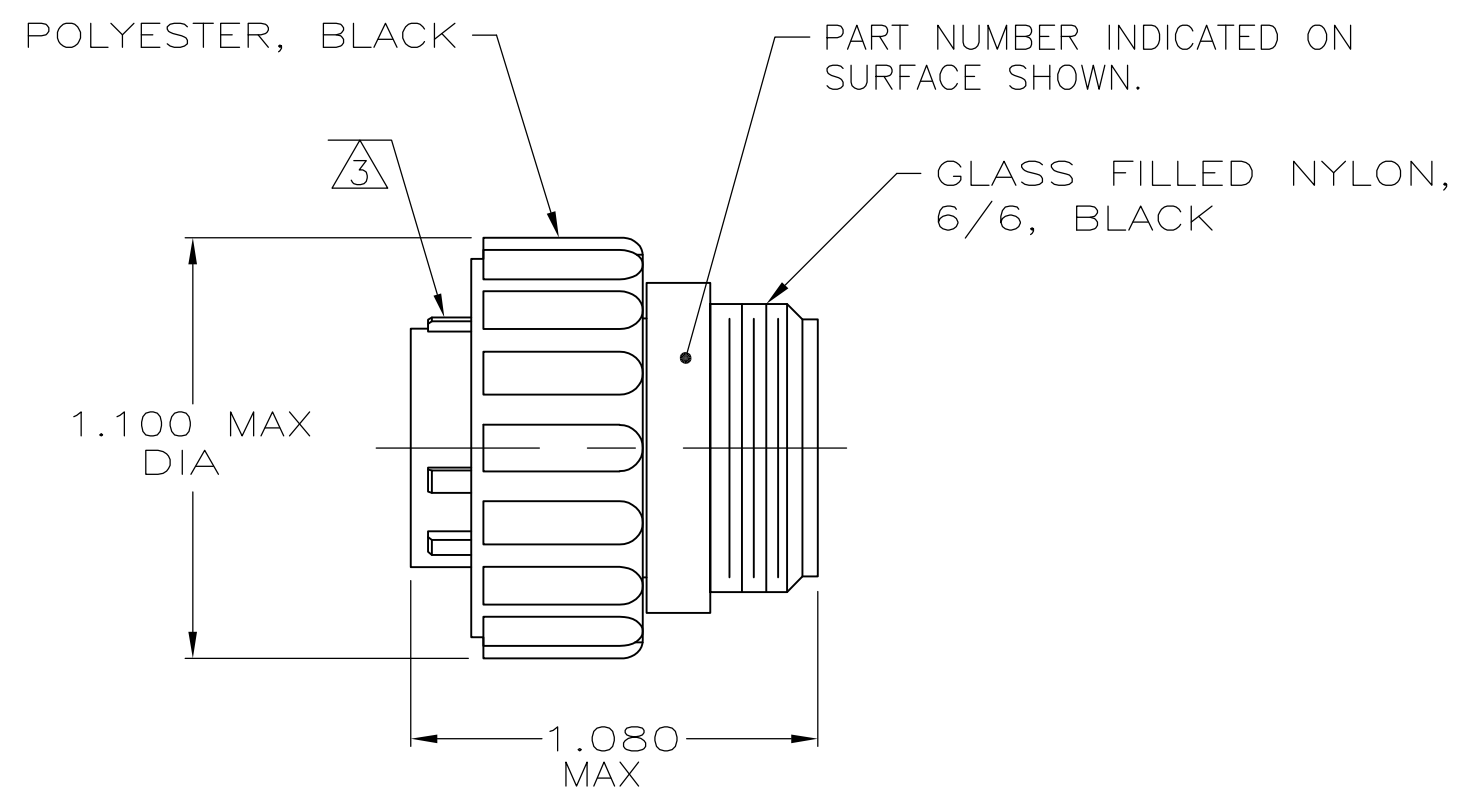
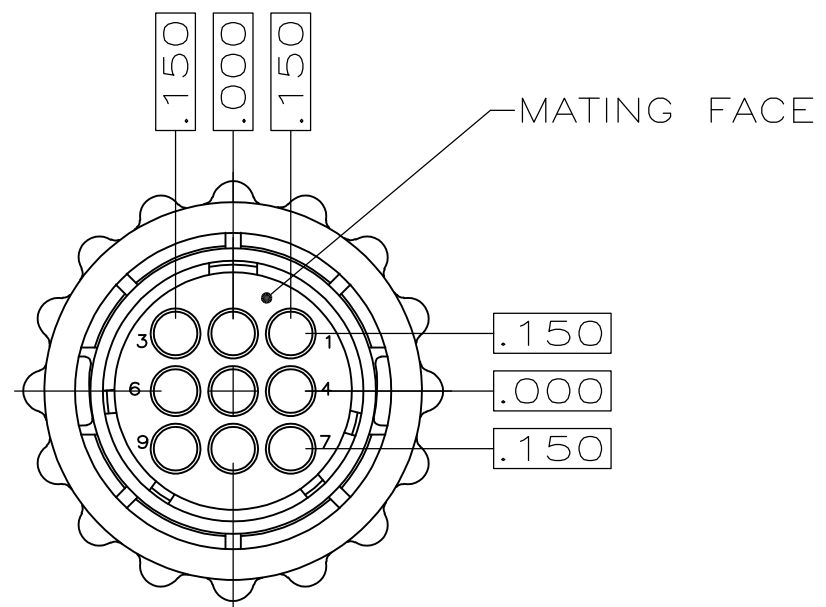


THIS DRAWING IS UNPUBLISHED. RELEASED FOR PUBLICATION  
 © COPYRIGHT - By - ALL RIGHTS RESERVED.

LOC	DIST	REVISIONS					
FT	0	P	LTR	DESCRIPTION	DATE	DWN	APVD
			K1	REVISED PER ECO-11-004587	11MAR11	RK	HMR

- CONTACT CAVITIES IDENTIFIED BY CHARACTERS ON FRONT AND REAR FACES OF CONNECTOR.
  - THIS PART WILL ACCEPT MULTIMATE SOCKET CONTACTS.
- ③ WHITE DOT OVER MAJOR KEY.  
 ④ PRELIMINARY PART NUMBER.



④	③	STANDARD	206708-3
-	-	SMALL PACK	206708-2
-	-	STANDARD	206708-1
NOTES	PACKAGING	PART NUMBER	

THIS DRAWING IS A CONTROLLED DOCUMENT.		DWN	S.RIDGLEY	BG	7/31/90	<b>STE</b> TE Connectivity							
DIMENSIONS: INCHES		CHK	R.STONE	-	4-26-91				PLUG ASSEMBLY, SHELL SIZE 13, STANDARD SEX, SERIES 1, CPC				
TOLERANCES UNLESS OTHERWISE SPECIFIED:		APVD				NAME							
0 PLC ± -		PRODUCT SPEC				-							
1 PLC ± -		APPLICATION SPEC				-							
2 PLC ± -		WEIGHT				-							
3 PLC ± -		SIZE				A3		CAGE CODE		DRAWING NO		RESTRICTED TO	
4 PLC ± -		CUSTOMER DRAWING				00779		C=206708		-		-	
ANGLES ± -		SCALE				2:1		SHEET		1 OF 1		REV	
FINISH		-				-		-		-		K1	