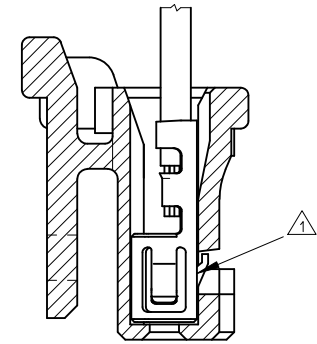
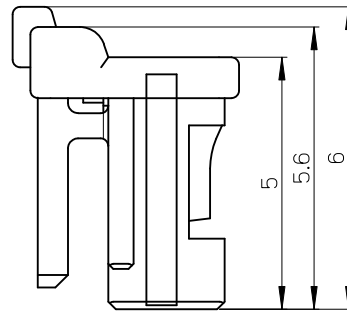
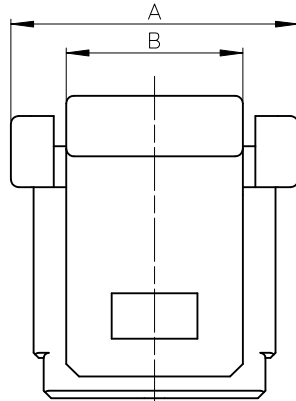
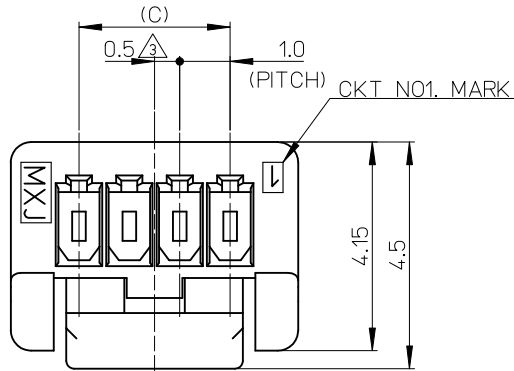


NOTES.

- ① 適合ターミナル : 501334-\*\*\*\*  
APPLICABLE TERMINAL : 501334-\*\*\*\*
- 2. 嵌合相手 : 501940/501953-\*\*\*\*  
MATE WITH : 501940/501953-\*\*\*\*
- ③ 偶数極に適用  
APPLY FOR EVEN CIRCUIT SIZE
- 4. ELV 及び RoHS適合品  
ELV AND RoHS COMPLIANT.
- 5. 材質  
MATERIAL  
66ナイロン 66NYLON  
ガラス無充填 GLASS FILLED 0%  
UL94V-0




ターミナル装着図  
TERMINAL ASSEMBLY DRAWING

|     |     |     |                |
|-----|-----|-----|----------------|
| 4.0 | 3.5 | 6.7 | 5              |
| 3.0 |     | 5.7 | 4              |
| 2.0 | 2.5 | 4.7 | 3              |
| C   | B   | A   | 極数<br>CIRCUITS |

CONNECTOR SERIES No. 501939-\*\*\*\*

|   |                                       |  |                            |                             |  |                        |                        |  |
|---|---------------------------------------|--|----------------------------|-----------------------------|--|------------------------|------------------------|--|
| REVISED<br>EC NO: J2010-2217<br>DRWN: THANU 2010/05/12<br>CHKD: AMIZUMURA 2010/05/13<br>APPR: NUKITA 2010/05/14 | GENERAL TOLERANCES (UNLESS SPECIFIED) |  | DIMENSION STYLE<br>MM ONLY |                             | SCALE<br>10:1  | DESIGN UNITS<br>METRIC | THIRD ANGLE PROJECTION |  |
|   | 10 UNDER                              | ±0.2   | DRAWN BY<br>NYOSHIDA       | DATE<br>2005/09/16          | TITLE<br><b>1.0 WIRE TO BOARD CONN.<br/>1-ROW RECPACLE HOUSING<br/>POSITIVE LOCK</b><br><br>MOLEX INCORPORATED<br>DOCUMENT NO. SD-501939-001<br>SHEET NO. 1 OF 2 |                        |                        |  |
|   | 10 OVER 30 UNDER                      | ±0.25  | CHECKED BY<br>AMIZUMURA    | DATE<br>2005/09/16          |  |                        |                        |  |
|   | 30 OVER                               | ±0.3   | APPROVED BY<br>MYAGI       | DATE<br>2005/09/16          |  |                        |                        |  |
| ANGULAR ±3 °  |                                       | DRAFT WHERE APPLICABLE MUST REMAIN WITHIN DIMENSIONS |                            | MATERIAL NO.<br>SEE SHEET 2 |  | SIZE<br>A3             |                        |  |

|   |   |   |   |   |                |
|---|---|---|---|---|----------------|
| アイボリー<br>IVORY                          | 紫<br>VIOLET                             | 橙<br>ORANGE                             | 茶<br>BROWN                              | 緑<br>GREEN                              | 色<br>COLOR     |
| 501939-0530                             | 501939-0539                             | 501939-0538                             | 501939-0537                             | 501939-0536                             | 5              |
| 501939-0430                             | 501939-0439                             | 501939-0438                             | 501939-0437                             | 501939-0436                             | 4              |
| 501939-0330                             | 501939-0339                             | 501939-0338                             | 501939-0337                             | 501939-0336                             | 3              |
| PLASTIC BAG PACKAGE<br>オーダー番号 ORDER NO. | PLASTIC BAG PACKAGE<br>オーダー番号 ORDER NO. | PLASTIC BAG PACKAGE<br>オーダー番号 ORDER NO. | PLASTIC BAG PACKAGE<br>オーダー番号 ORDER NO. | PLASTIC BAG PACKAGE<br>オーダー番号 ORDER NO. | 極数<br>CIRCUITS |
| CONNECTOR SERIES No. 501939-****        |   |   |   |   |                |
| 青<br>BLUE                               | 黄<br>YELLOW                             | 赤<br>RED                                | 黒<br>BLACK                              | 白<br>WHITE                              | 色<br>COLOR     |
| 501939-0534                             | 501939-0533                             | 501939-0532                             |   | 501939-0500                             | 5              |
| 501939-0434                             | 501939-0433                             | 501939-0432                             | 501939-0431                             | 501939-0400                             | 4              |
| 501939-0334                             | 501939-0333                             | 501939-0332                             | 501939-0331                             | 501939-0300                             | 3              |
| PLASTIC BAG PACKAGE<br>オーダー番号 ORDER NO. | PLASTIC BAG PACKAGE<br>オーダー番号 ORDER NO. | PLASTIC BAG PACKAGE<br>オーダー番号 ORDER NO. | PLASTIC BAG PACKAGE<br>オーダー番号 ORDER NO. | PLASTIC BAG PACKAGE<br>オーダー番号 ORDER NO. | 極数<br>CIRCUITS |

|   |                                       |   |                            |                               |  |                        |                        |  |
|---|---------------------------------------|---|----------------------------|-------------------------------|--|------------------------|------------------------|--|
| REVISED<br>EC NO: J2010-2217<br>DRWN: THANJU 2010/05/12<br>CHKD: KASAKAWA 2010/05/13<br>APPR: NUKITA 2010/05/14 | GENERAL TOLERANCES (UNLESS SPECIFIED) |   | DIMENSION STYLE<br>MM ONLY |                               | SCALE<br>10:1  | DESIGN UNITS<br>METRIC | THIRD ANGLE PROJECTION |  |
|   | 10 UNDER                              | ±0.2  | DRAWN BY<br>NYOSHIDA       | DATE<br>2005/09/16            | TITLE<br>1.0 WIRE TO BOARD CONN.<br>1-ROW RECPTACLE HOUSING<br>POSITIVE LOCK<br><br> MOLEX INCORPORATED |                        |                        |  |
|   | 10 OVER 30 UNDER                      | ±0.25   | CHECKED BY<br>AMIZUMURA    | DATE<br>2005/09/16            |  |                        |                        |  |
|   | 30 OVER                               | ±0.3  | APPROVED BY<br>MYAGI       | DATE<br>2005/09/16            |  |                        |                        |  |
| ANGULAR ±3 °  |                                       | MATERIAL NO.<br>SEE TABLE   |                            | DOCUMENT NO.<br>SD-501939-001 |  | SHEET NO.<br>2 OF 2    |                        |  |
| DRAFT WHERE APPLICABLE MUST REMAIN WITHIN DIMENSIONS  |                                       | THIS DRAWING CONTAINS INFORMATION THAT IS PROPRIETARY TO MOLEX INCORPORATED AND SHOULD NOT BE USED WITHOUT WRITTEN PERMISSION |                            |                               |  |                        |                        |  |