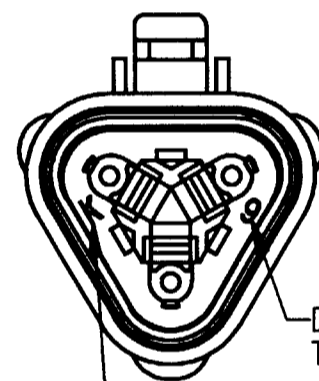
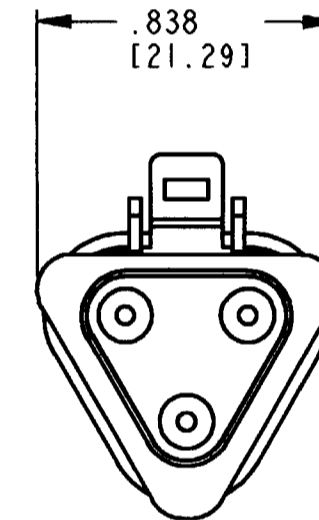
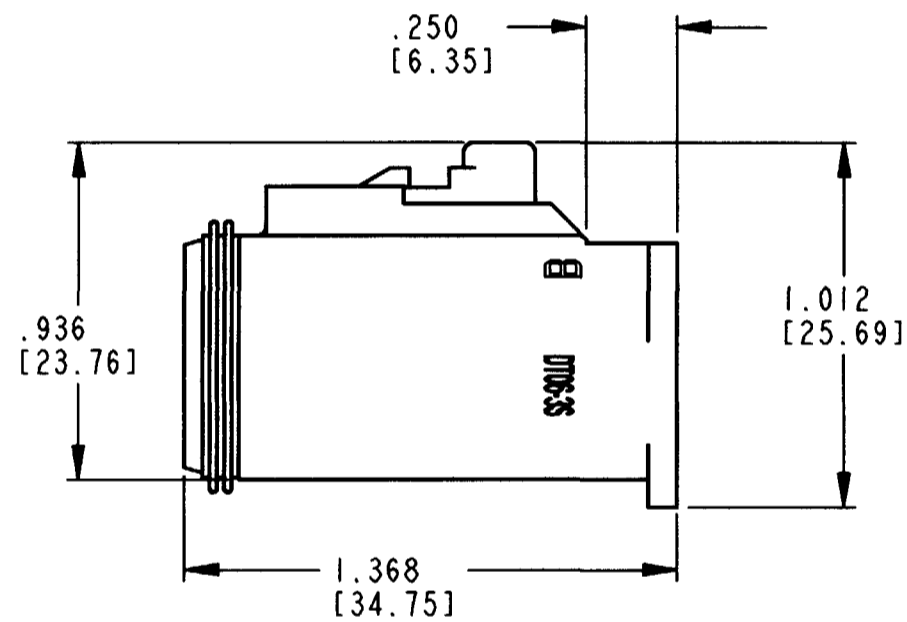


3D VIEW



DATE CODE: EXAMPLE OF THE YEAR 1999

DATE CODE: EXAMPLE OF THE MONTH OF NOVEMBER



REV  
NC DT06-3S-P032

REVISIONS			
SYM	DESCRIPTION	DATE	APPROVED
NC	NEW RELEASE PER E.O.PI6337	10-15-99	RDR

- NOTES:
1. DIMENSIONS ARE IN INCHES [MILLIMETERS].
  2. DIMENSIONS ARE  $\pm .025$  [0.63] UNLESS OTHERWISE SPECIFIED.
  3. FOR CONTACTS AND WIRE PERFORMANCE AND APPLICATION CHARACTERISTICS SEE ENVELOPE DRAWING 0425-015-0000 AND 0425-017-0000.
  4. THIS PLUG MATES WITH DT04-3P-\*\*\*\* RECEPTACLE(\*\*\*\* = ALL MODIFICATIONS). CONSULT FACTORY FOR MODIFICATIONS.

SIGNATURE & DATE	
DR	S. THEIS 11/5/98
CHK	<i>[Signature]</i> 10/15/99
PE	<i>[Signature]</i> 10-15-99
APPD	<i>[Signature]</i> 10-15-99
SCALE	2:1 WT

3 WAY PLUG  
P032 MOD  
INTEGRATED ADAPTER  
SHRINK BOOT  
DT SERIES  
ENVELOPE

CP	MATL. CODE
<b>The Deutch Company</b> DEUTSCH I.P.D. 3850 INDUSTRIAL AVE. HEMET, CALIF. 92545	
<b>B</b>	<b>DT06-3S-P032</b>
DWG SIZE	CODE 11139 SHEET   OF